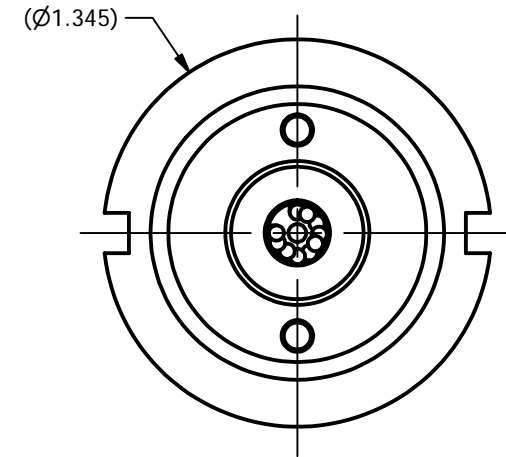
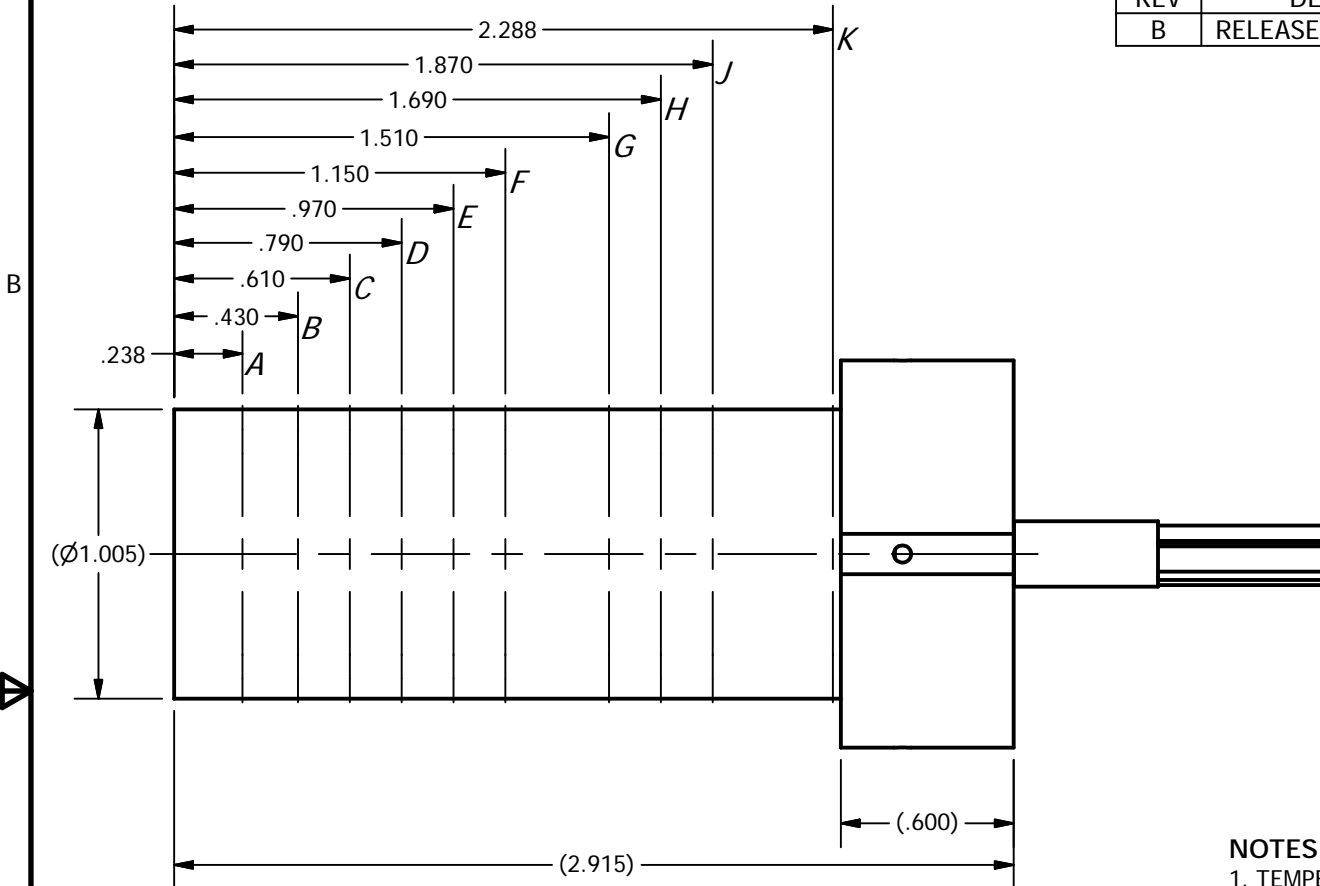


2

1

REVISION HISTORY			
REV	DESCRIPTION	DATE	APPROVED
B	RELEASE FOR PROTOTYPE	04/18/2011	

**NOTES:**

- TEMPERATURE RATING: 392°F (200°C)
CURRENT: 4 AMPS MAX
VOLTAGE: 500 VDC
- CONTACTS ARE GOLD PLATED
- WIRE LENGTH TO BE 24" MIN. OR AS DETERMINED BY CUSTOMER.
- MOUNTING DETAIL TO BE DETERMINED BY CUSTOMER.

CONTACT	WIRE SIZE	COLOR
A	24 AWG	BLACK
B	24 AWG	BROWN
C	24 AWG	RED
D	24 AWG	ORANGE
E	24 AWG	YELLOW
F	24 AWG	GREEN
G	24 AWG	BLUE
H	24 AWG	VIOLET
J	24 AWG	GRAY
K	24 AWG	WHITE

WIRING DIAGRAM

DRAWN S. GIBSON	3/1/2011
CHECKED	
APPROVED	
UNLESS OTHERWISE SPECIFIED: DIMENSIONS ARE IN INCHES [MM] TOLERANCES: ANGULAR: ±.50° TWO PLACE DECIMAL ±.015 THREE PLACE DECIMAL ±.005 FOUR PLACE DECIMAL ±.0005 FILLET: R.032 MAX REMOVE ALL BURRS AND BREAK SHARP EDGES .015 MAX	

Canyon
Manufacturing Services, Inc.

TITLE

**10-CONDUCTOR FEMALE IN-LINE
CONCENTRIC STAB CONNECTOR**

SIZE MATERIAL

A

SEE 915-0237-01

DWG NO

915-0237-SALES

REV

B

All rights reserved. This document and the information contained herein are the sole property of Canyon Manufacturing Inc. Any reproduction or distribution in whole or in part without written permission of Canyon Manufacturing Inc. is prohibited.

SHEET 1 OF 1

2

1