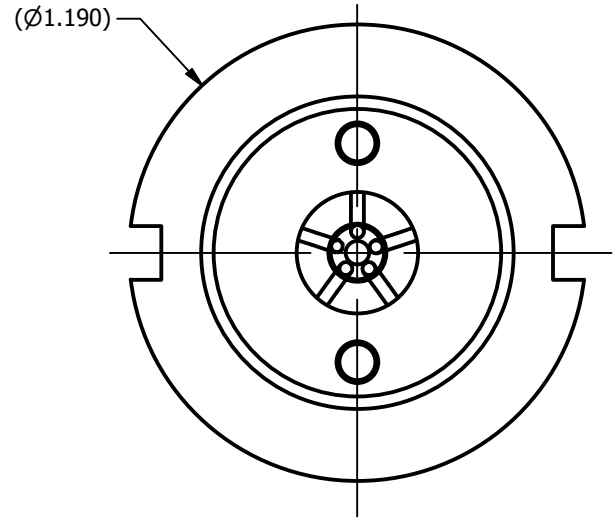
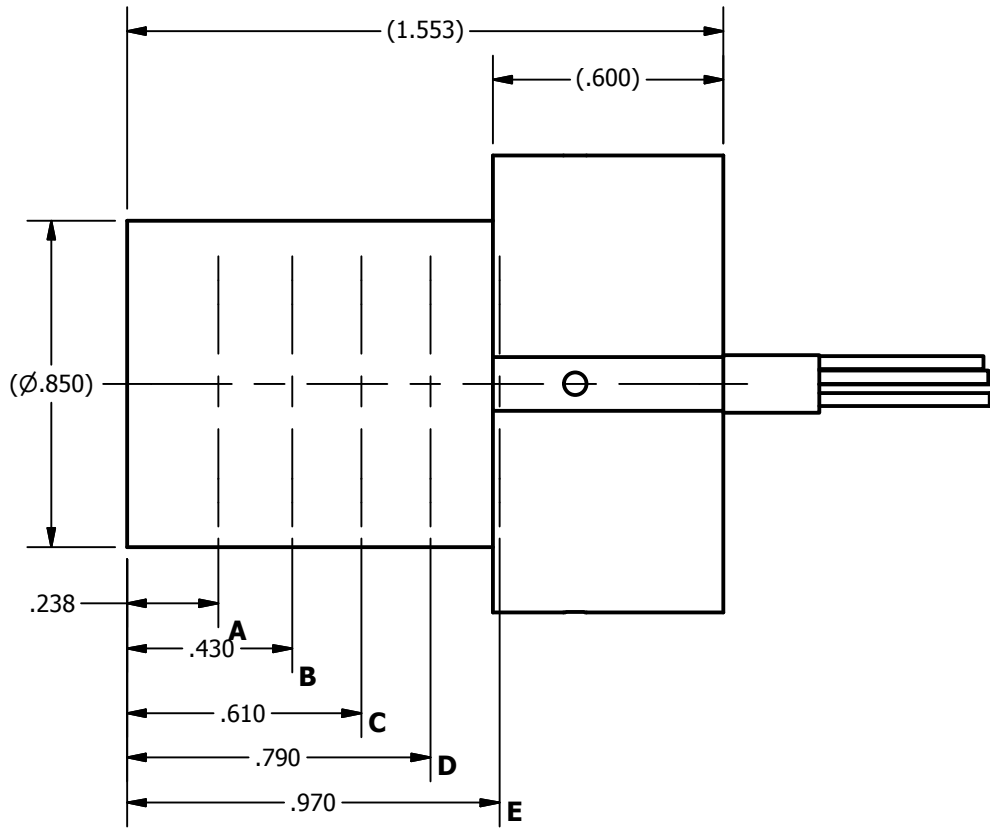


REVISION HISTORY			
REV	DESCRIPTION	DATE	APPROVED
B	Update Wiring Diagram	02/16/2011	



**NOTES:**

1. TEMPERATURE RATING: 392°F (200°C)
2. WIRE LEADS TO BE 24" MINIMUM OR AS DETERMINED BY CUSTOMER.
3. CONTACTS ARE GOLD PLATED.

CONTACT	WIRE SIZE	COLOR
A	24 AWG	BLACK
B	24 AWG	BROWN
C	24 AWG	RED
D	24 AWG	ORANGE
E	24 AWG	YELLOW

**WIRING DIAGRAM**

DRAWN S. GIBSON	9/20/2010
CHECKED J. STEELE	9/20/2010
APPROVED P. BALCOM	9/20/2010
UNLESS OTHERWISE SPECIFIED: DIMENSIONS ARE IN INCHES [MM] TOLERANCES: ANGULAR: ±.50° TWO PLACE DECIMAL ±.015 THREE PLACE DECIMAL ±.005 FOUR PLACE DECIMAL ±.0005 FILLET: R.032 MAX REMOVE ALL BURRS AND BREAK SHARP EDGES .015 MAX	



TITLE  
**5-CONDUCTOR FEMALE IN-LINE  
CONCENTRIC STAB, INSULATOR BODY**

SIZE	MATERIAL	DWG NO	REV
A	SEE 915-0231-01	915-0231-SALES	B

All rights reserved. This document and the information contained herein are the sole property of Canyon Manufacturing Inc. Any reproduction or distribution in whole or in part without written permission of Canyon Manufacturing Inc. is prohibited.